

# CM0410

## Controller Module

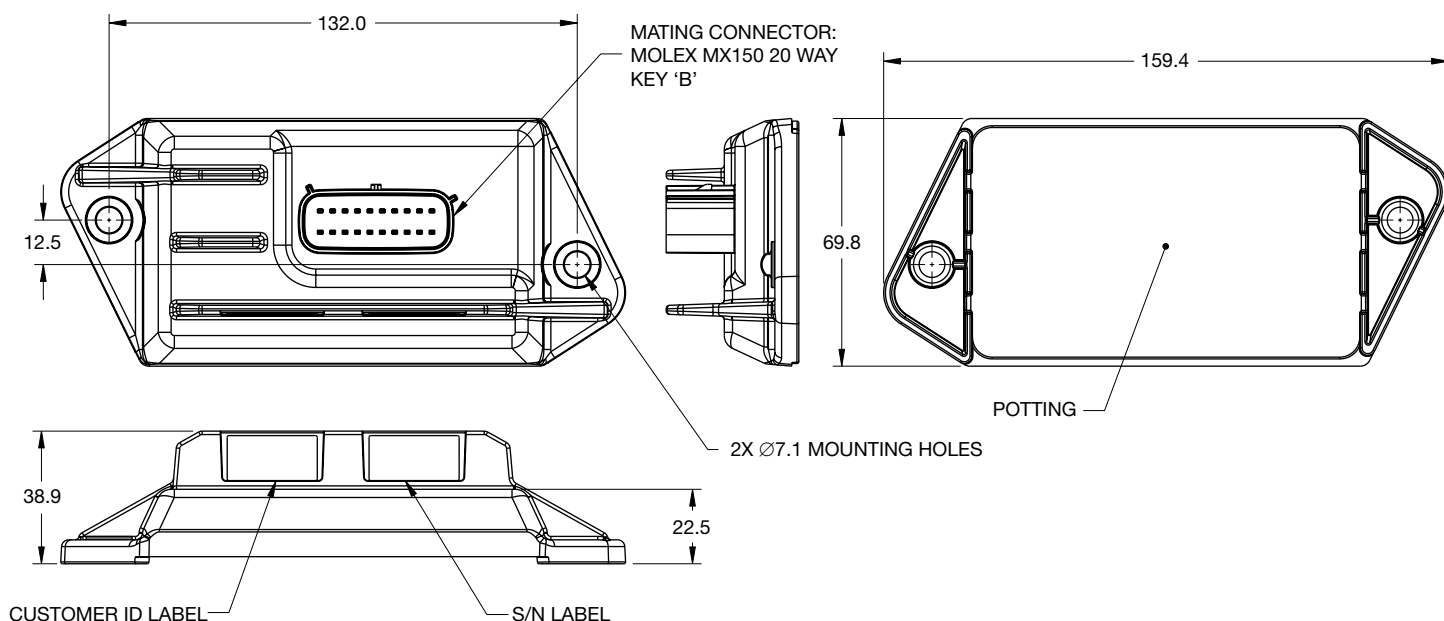


<b>General</b>	
Weight	0.3 kg
Operating Temperature	-40°C to +85°C
Storage Temperature	-40°C to +125°C
<b>Electrical</b>	
System Voltage	12 V and 24 V
Operating Voltage	9 V to 32 V
Micro Core Capabilities	
Micro Type	ARM Cortex M0
Flash Size	32 Kbyte
RAM Size	8 Kbyte
EEPROM Size	16 Kbit
Communication	
CAN channels (SAE J1939)	1 with "Wake on CAN" functionality
Inputs/Outputs	
Programmable Inputs	3 Programmable as Frequency / 0-5V analog 1 Programmable as Frequency / 0-5V analog / Wake-up
Current Sense Pass Through	high side, pass through current sense
High Side Outputs	
12V system	
Maximum Continuous Load, (@ Maximum PWM Frequency)	up to 2 x 2A outputs, 8 x 0.25A outputs, PWM (100 - 200 Hz) 10 x 0.25A outputs
24V system	
Maximum Continuous Load, (@ Maximum PWM Frequency)	up to 2 x 1A outputs, 8 x 0.125A outputs, PWM (100 - 200 Hz) 10 x 0.125A outputs
<b>Mechanical</b>	
Enclosure Material	Injection Molded Plastic with potted electronics
Connector	1 x 20 pins
Type	Molex MX150, Key B
Mounting Method	Two 1/4" or 6mm bolts
<b>Ordering</b>	
Ordering Part Numbers	1014001ECD



<b>Software</b>	
J1939 Slave Module	Module is controllable as a slave module over a J1939 CAN network. Slave module CAN messaging details are configurable by user.
Configurable Software	Simple I/O configuration is provided by a proprietary tool.
<b>Design Verification Testing (DVT)</b>	
Specifications	EP455 and J1455
Sealing	IP69K
Low voltage cranking	6 V
Over voltage	36 V

## Dimensions



units=mm



### WARNING - California Proposition 65

This product can expose you to chemicals including STYRENE which is known to the State of California to cause cancer.  
For more information go to [www.P65Warnings.ca.gov](http://www.P65Warnings.ca.gov)

© 2020 Parker Hannifin Corporation. All rights reserved.

PB-CM0410-202002-04



Parker Hannifin Corporation  
**Electronic Controls Division**  
 850 Arthur Avenue  
 Elk Grove Village, IL, 60007 USA  
 phone 800 221 9257  
 ecdinfo@parker.com  
 www.parker.com/ecd

Your Local Authorized Parker Distributor